

RACK MOUNT PROGRAM SWITCHER WITH LOCAL AND EXTERNAL CONTROL



The RMD-01 Program Switcher is a versatile program switcher provided with 4 balanced Stereo inputs and 1 balanced Stereo output. The RMD-01 is designed primarily as a simple and economical mini Delegation Switcher for use in Commercial and Community Radio Broadcast Stations but has many other potential applications.

The RMD-01 has a built in AC power supply and is constructed as a self-contained 19" rackmount unit occupying 1 RU of rack space. All audio inputs are Differential Balanced and Bridging. Line outputs are Differential Balanced.

The RMD-01 is extremely versatile and has as standard 5 distinct functional modes of operation set internally by moveable links and controlled by a PIC microprocessor. Audio Switching is arranged to allow mixing as well as excluding operations (1 input active at a time).

In addition a 4 position DIP switch accessed from the rear panel will program the RMD-01 to switch or default to a particular input or combination of inputs to the output on power-up. This is a particularly useful feature for Radio Stations operating an unattended automation program where a temporary mains power failure could upset pre-set switch conditions and cause loss of program when mains power is returned.

Control is direct from the front panel mounted push-button switches on the RMD-01 and by external control switches connected to the unit via the rear panel mounted female D connector. External remote control from a PC via a suitable interface, other digital equipment or Time Clocks is also possible. Control inputs are effectively in parallel with the front panel switches polarised to 12V DC and are active low.

Indication of switched status is shown by LED's on the front panel switches and also appears on relay contacts on the rear panel D connector. The relay contacts switch to ground to indicate an active audio input.

TECHNICAL SPECIFICATIONS

Inputs:	4 Stereo; Differential Balanced Bridging
Output:	1 Stereo; Differential Balanced 50 Ohms
In/Output Connector:	DB25 female
Remote Connector:	DB25 Male
Operating Level:	Nominal +4 dBu. Maximum + 26 dBu (Clip Level)
Freq Response	+0 -1 dB 10 Hz to 80 KHz
THD:	0.01%
Signal to noise:	105 dB WRT +12 dBu 20 Hz to 20 KHz
Off Isolation @ 20 KHz:	80 dB
Crosstalk @ 20 KHz:	Left to Right 71 dB Right to Left 75 dB
Power supply:	230-250 V AC 50 Hz 15 VA

DESIGNED & MANUFACTURED IN AUSTRALIA BY

BALANCED
STEREO
INPUTS

D1
1 2 3 4 5 6 7 8

L 14
R 15
L 16
R 17
L 18
R 19
L 20
R 21

PIC PROCESSOR

2803

D2

EXTERNAL
INDICATES
STATUS 1
STATUS 2
STATUS 3
STATUS 4

EXTERNAL
CONTROL
CONTROL 1
CONTROL 2
CONTROL 3
CONTROL 4

DIP SW
SET
POWER
UP
PRIORITY

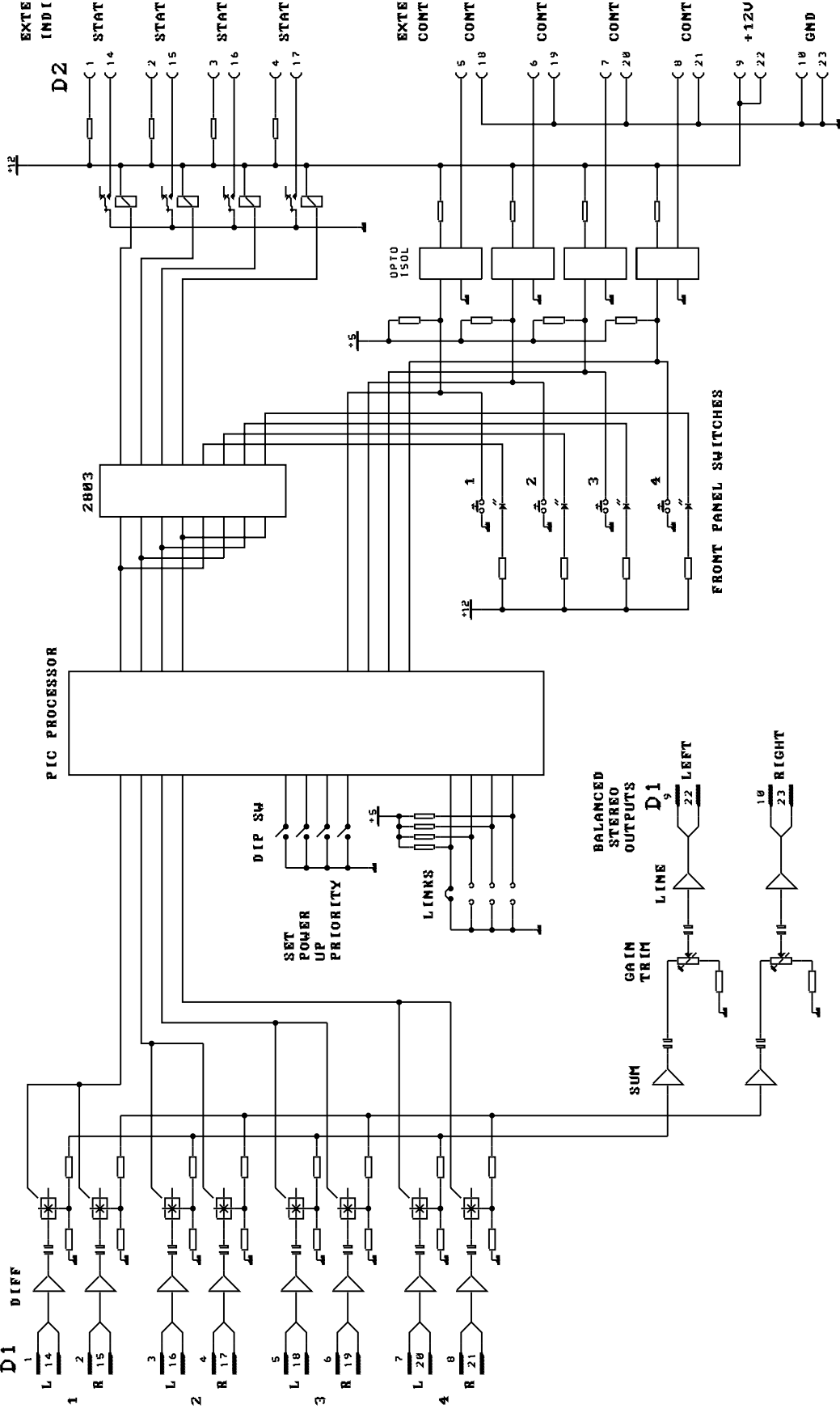
LINKS

FRONT PANEL SWITCHES
1 2 3 4

BALANCED
STEREO
OUTPUTS

D1
9 10 22 23

SUM
GAIN
TRIM
LINE
LEFT
RIGHT



ELAN AUDIO
AUSTRALIA

Title RACKMOUNTING MINI STEREO

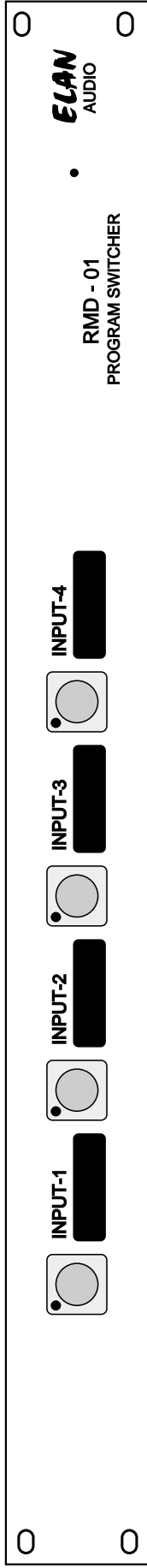
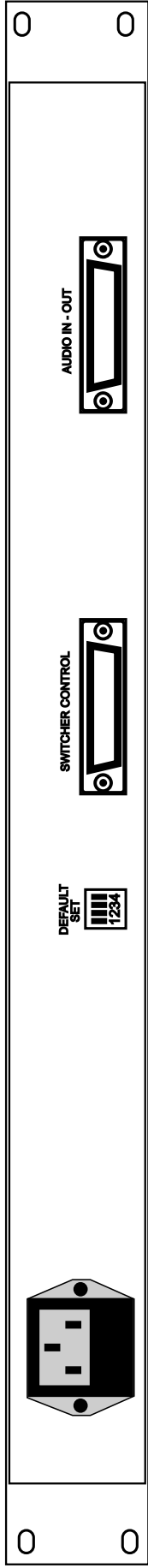
DELEGATION SWITCHER

Size Number RMD-01 Revision

A3

Date: 6-NOV-2008 Sheet 01

File: RMD-01.v1 Drawn By:



Front and Back view

RMD-01 4 input Stereo Program Switcher

Suggested applications for RMD-01 as Delegation Switcher

