



Applications

General (Incoming) Program Source Switching
Radio Station News Rooms
Audio Monitoring Systems
General (Outgoing) Network Source Switching

General Description

The RSS-01 is a versatile self-contained, general purpose Audio Switcher built into a 1 RU rackmount case.

All Inputs are Differential Balanced and Hi-Z Bridging.

Outputs are Differential Balanced approx 50 Ohm output impedance suitable for a 600 Ohm Load.

As supplied from the factory, the RSS-01 is configured as a 16 input stereo switcher but can be easily configured as a 32 input mono switcher by internal settings.

External control is either from the front panel mounted momentary push button switches arranged as up and down buttons, or from an external controller via an RS-485 Bus.

The front panel controls on the RSS-01 remain active even when an external controller is connected. Indication of the selected crosspoint is shown by two seven segment numeric LED displays.

Gain is factory set for unity, with a limited range of adjustment available on internal trimpots.

On power up the RSS-01 defaults to Audio Crosspoint 01 on or active.

RSS-01 switchers may be used and controlled individually, or set up in blocks of several units, with the inputs wired in parallel and controlled via the RS-485 bus to form quite complex switching systems.

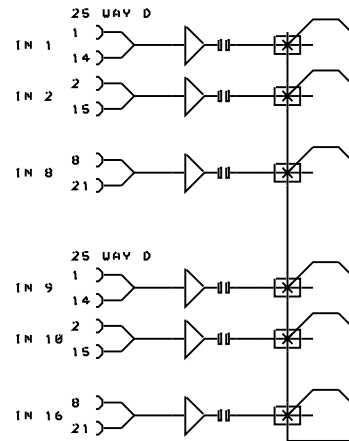
External control is possible by RS-485 protocol. Elan Audio has available the PSS-01 controller which directly interfaces with the RSS-01. The PSS-01 is a simple step switch box with an up and down switch and LED display.

More complex control will require PC control with protocol written in Visual Basic, Q Basic or C++. Sample protocol can be supplied on request. Also available from Elan Audio is the PDB-02 RS232-RS485 serial convertor.

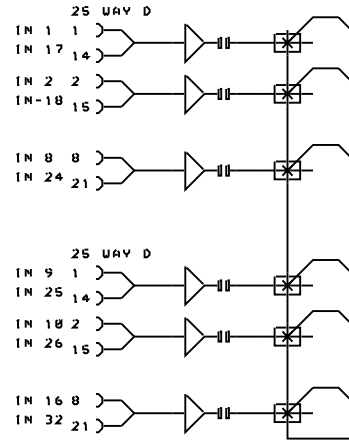
Parallel RS-485 bus control is also possible. The RSS-01 operating firmware will support up to 128 addresses on the RS-485 bus.

Input Connectors: 25 Pin D Female
Output Connectors: 9 Pin D Male
Control Connectors: RJ-45 Duplicated

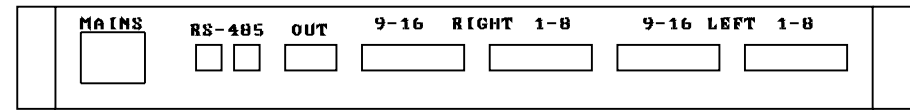
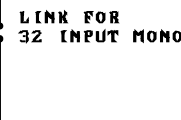
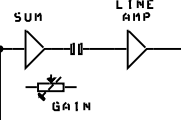
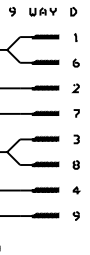
LEFT OR MONO



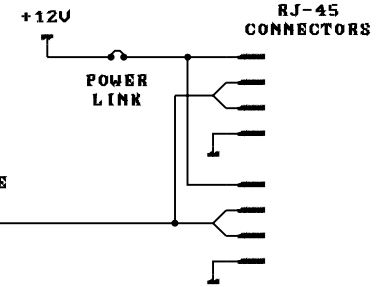
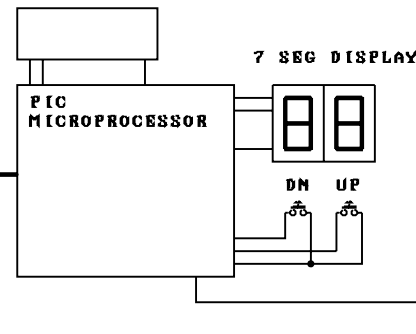
RIGHT OR MONO



OUT



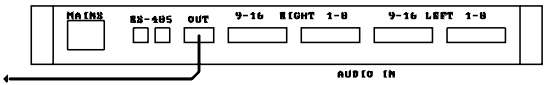
SET ADDRESS SWITCH TO 1 FOR 32 INPUT MONO



Block Diagram
RSS-01

**16 Inout Stereo or
32 Input Mono Switcher**

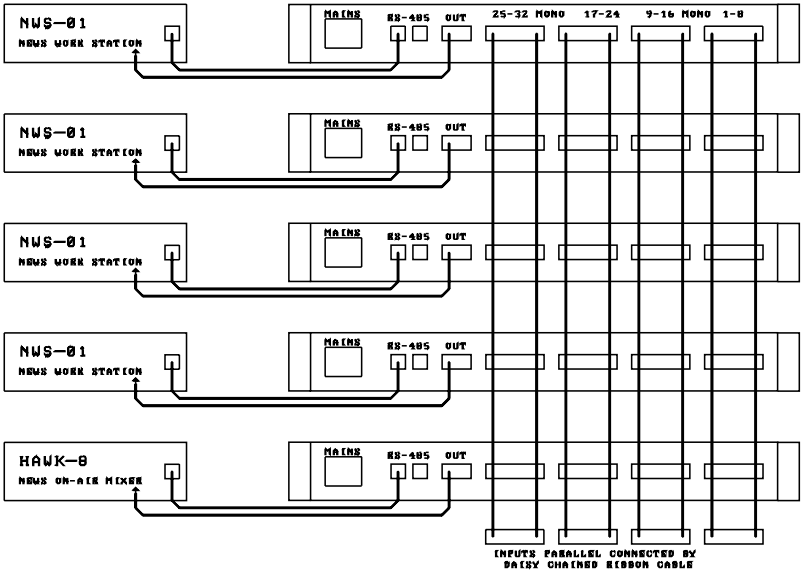
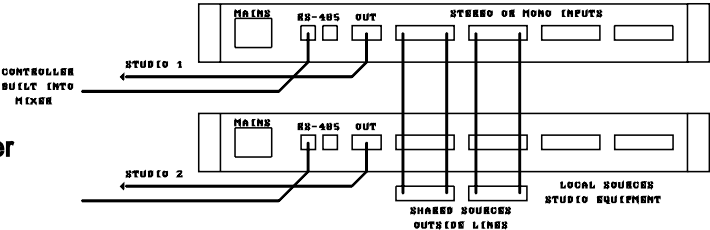
Suggested Applications for RSS-01 Audio Switcher



Stand Alone Application
Control via Front Panel

Local and Outside Line Sources to 2 On-Air Studios

Control via ABCPSS Controller Built into Studio Mixers



Radio Station News Department
Featuring
4 Elan Audio NWS-01
News Work Stations
and
1 Elan Audio Hawk-8
News Reading Console

Line Switching System
featuring 5 x RSS-01
Audio Switchers

Control from a PC via
RS-485 Bus

Highly suitable for Timed
Recording, Line Switching
etc using a suitable Software
Scheduling Program

