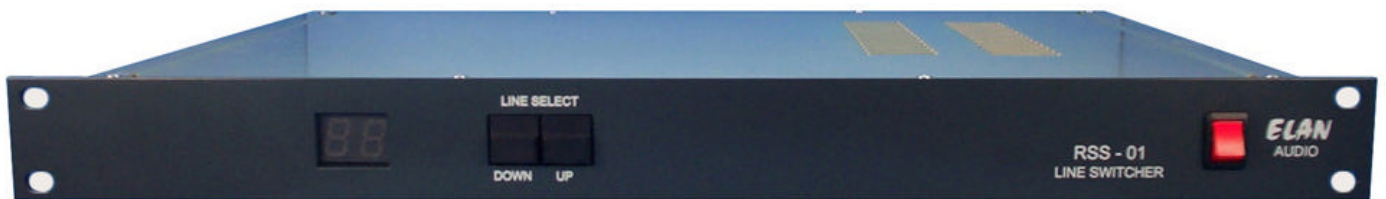


---

**ELAN** AUDIO

**RSS-01**  
**Rackmount 16 Input Stereo Switcher**  
Product Description

---



**RSS01D01**

---

**ELAN Audio**

2 STEEL COURT  
SOUTH GUILDFORD WA 6055

PHONE (08) 9277 3500  
FAX (08) 9478 2266

[www.elan.com.au](http://www.elan.com.au)  
[sales@elan.com.au](mailto:sales@elan.com.au)

---

# RSS-01

## Rackmounting 16 Input Stereo 32 Input Mono Switcher

### Applications

General (Incoming) Program Source Switching  
Radio Station News Rooms  
Audio Monitoring Systems  
General (Outgoing) Network Source Switching

### General Description

The RSS-01 is a versatile self-contained, general purpose Audio Switcher built into a 1 RU Rackmount casing complete with its own AC Mains Power Supply

All Inputs are Differential Balanced and Hi-Z Bridging

Outputs are Differential Balanced appx 50 Ohm output impedance suitable for a 600 Ohm Load

As supplied from the factory, the RSS-01 is configured as a 16 Input Stereo Switcher but can be easily configured in the field as a 32 Input Mono Switcher by simply inserting a Link and setting a DIP Switch

Internal control and management of the switcher is by a PIC16C57 Microprocessor

External control is either from the front panel mounted Momentary Push Button Switches arranged as Up and Down buttons, or from an external controller via an RS-485 Bus

The front panel controls on the RSS-01 remain active even when an external controller is connected

Indication of the selected crosspoint is indicated by two seven segment numeric LED displays

Audio Switching is accomplished in Click-Free SSM-2404 Audio Switch ICs

Gain is factory set for unity, with a limited range of adjustment available on internal Trimpots

On Power up, The RSS-01 defaults to Audio Crosspoint 01 On or Active

The RSS-01 Switchers may be used and controlled individually, or set up in blocks of several units, with the Inputs wired in parallel, and controlled via the RS-485 bus to form quite complex switching systems

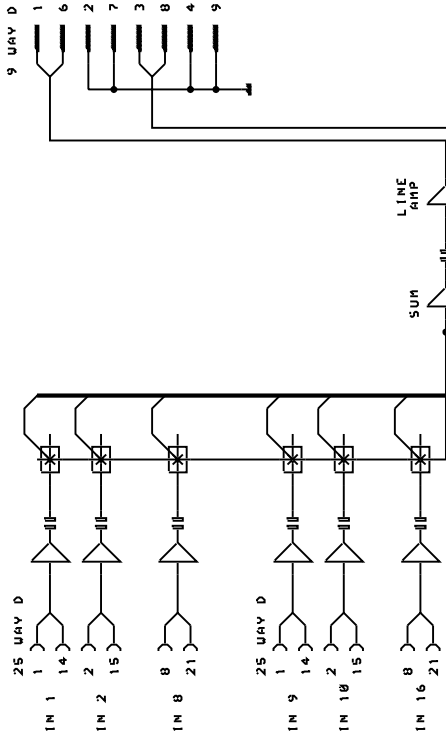
Currently (2001) available RS-485 hardware controllers, powered from the RSS-01 are the "ABCPSS", a PCB only controller designed for building into an On Air Mixer, the SSC-01 (Serial Switcher Controller) desk top mounting unit and the standard controller built into the Elan Audio NWS-01 News Work Station

Elan Audio will consider making "Custom Built" control systems and solutions for the RSS-01

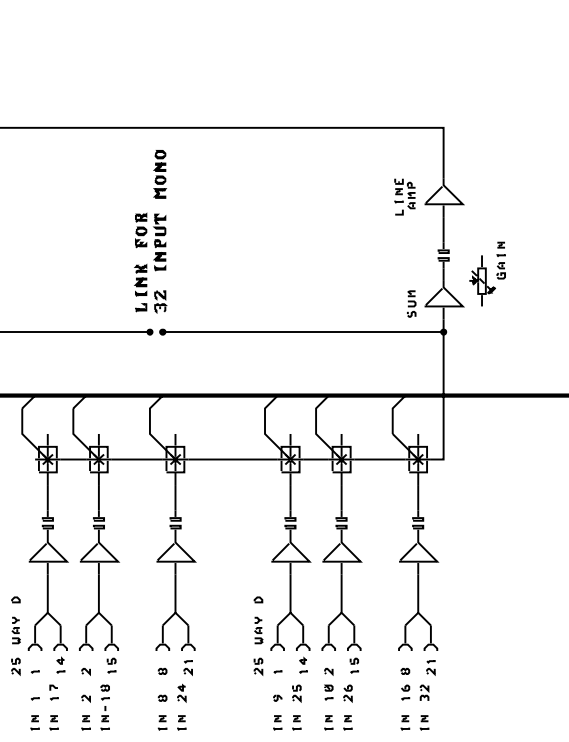
Parallel RS-485 bus control is also possible, the standard firmware will support up to 128 Addresses on the RS-485 bus lending the RSS-01 to be controlled from a computer

Input Connectors	25 Pin "D" Female
Output Connectors	9 Pin "D" Male
Control Connectors	RJ-45 Duplicated

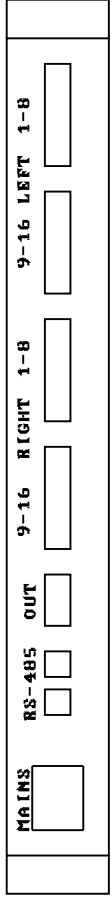
**LEFT OR MONO**



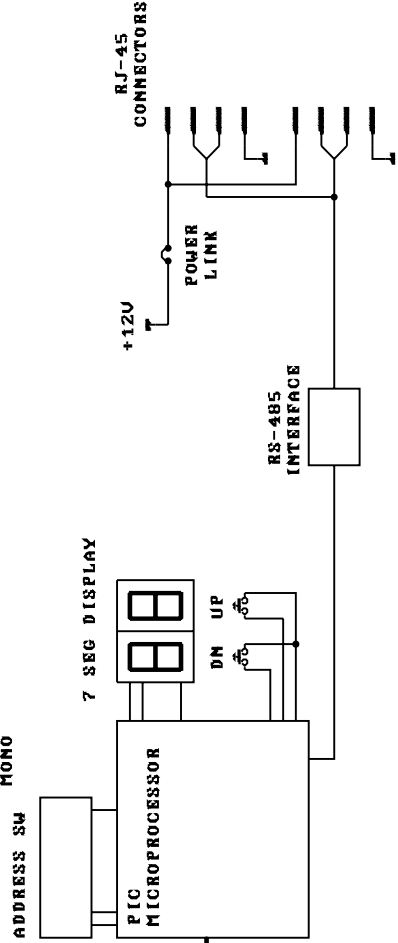
**RIGHT OR MONO**



**OUT**



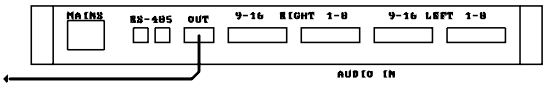
SET ADDRESS SWITCH TO 1 FOR 32 INPUT MONO



**Block Diagram  
RSS-01**

**16 Inout Stereo or  
32 Input Mono Switcher**

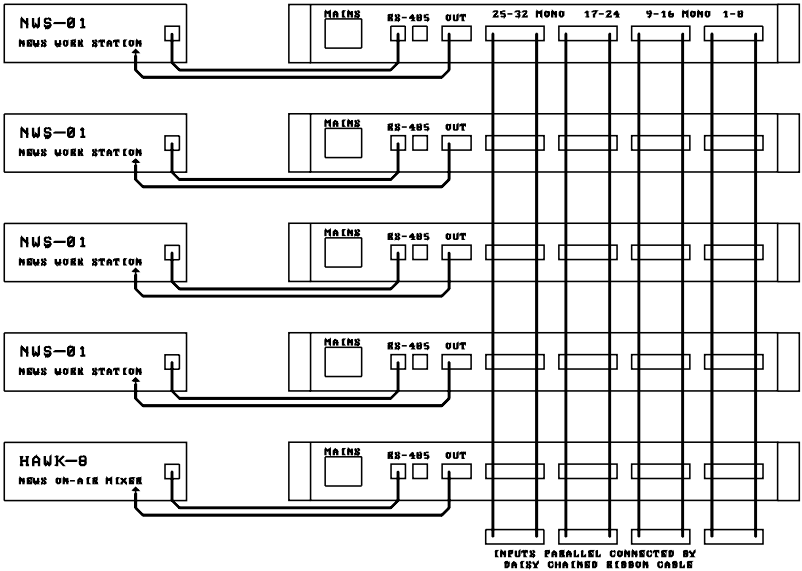
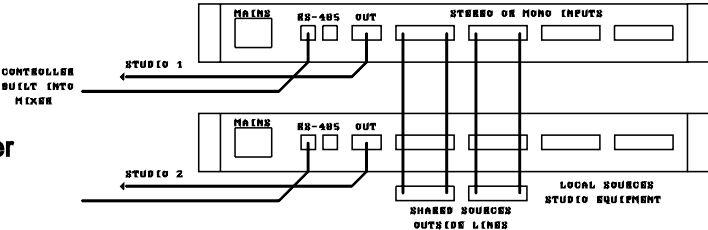
# Suggested Applications for RSS-01 Audio Switcher



**Stand Alone Application**  
**Control via Front Panel**

**Local and Outside Line Sources to 2 On-Air Studios**

**Control via ABCPSS Controller Built into Studio Mixers**



**Radio Station News Department**  
**Featuring**  
**4 Elan Audio NWS-01**  
**News Work Stations**  
**and**  
**1 Elan Audio Hawk-8**  
**News Reading Console**

**Line Switching System**  
**featuring 5 x RSS-01**  
**Audio Switchers**

**Control from a PC via**  
**RS-485 Bus**

**Highly suitable for Timed**  
**Recording, Line Switching**  
**etc using a suitable Software**  
**Scheduling Program**

