

## Technical Description.

### Rackmounting Receiver Accessory Unit Type RRA-01.

The RRA-01, in conjunction with a good quality AM-FM Tuner, is a practical and economical method to provide an "Off-Air" receiver system.

The RRA-01 Receiver Accessory Unit, is built into a 1RU High rackmounting casing, and is a combination Audio Balancing, Distribution Amplifier, Programme and Carrier Fail Detector System.

It accepts Unbalanced Audio from the Tuner, and provides 10 Left, 10 Right and 5 Balanced Mono Audio Splits, Open Collector outputs for Left Program Fail, Right Program Fail, General Program Fail, Carrier Fail, Combined Program or Carrier Fail and Alarm Output.

In addition, it is provided with 3 sets of floating relay contacts, closing on an Alarm Condition, Program Fail and Carrier Fail.

The Carrier Fail signal is derived from the attached Tuner as a DC level, derived from logic internal to the Tuner, or derived from the AGC Circuitry internal to the Tuner.

Program Fail is sensed from Left and Right Channel Audio, and adjustable in 5, 10 dB steps relative to the Audio Output from the RRA-01, being 0 dBu, -10 dBu, -20 dBu, -30 dBu and -40 dBu.

Alarm Delay times are adjustable on an 8 way DIP Switch in 1 second steps, from 1 second to 256 seconds.

7 front panel mounted LEDs indicate Left Channel Audio present, Right Channel Audio present, Left Channel Audio Fail, Right Channel Audio Fail, Carrier OK, Carrier Fail, Alarm On, (Enabled), Alarm Off (Disabled) and Alarm.

A front panel mounted switch is wired to Enable, or Disable the Alarm indicator and Alarm Relay.

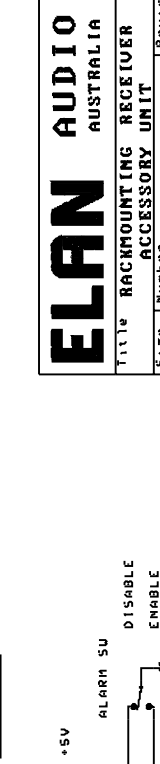
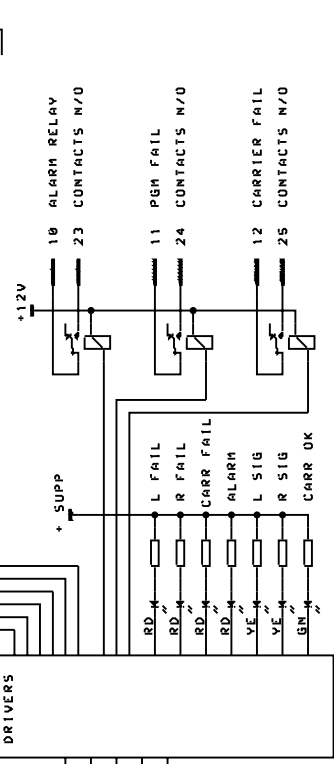
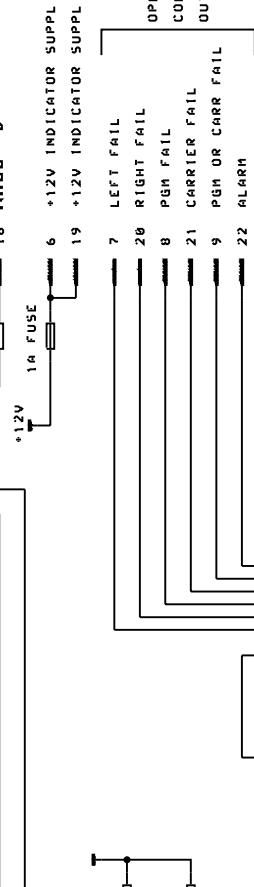
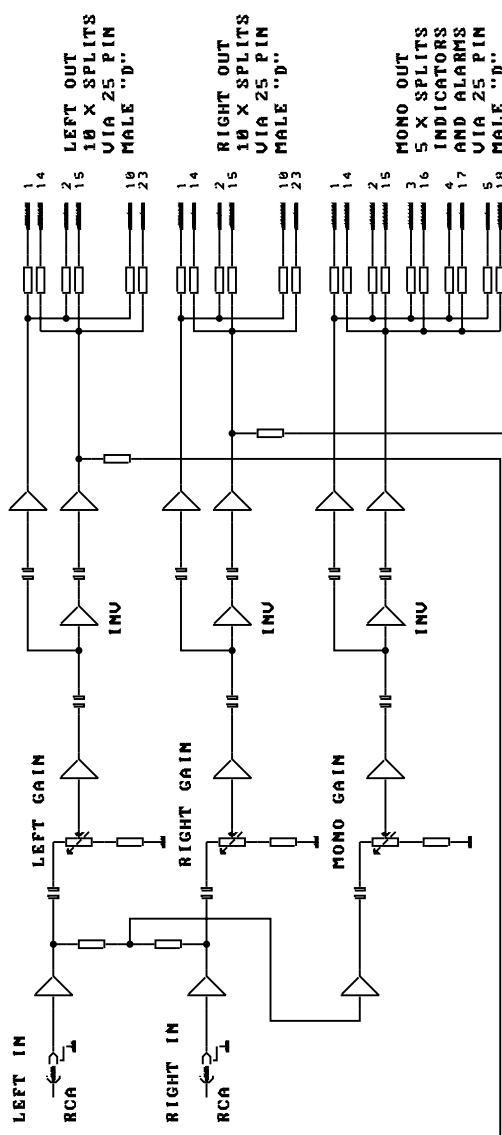
The RRA-01 is designed for use with the DENON TU-235 RD Hi-Fi AM-FM Tuner and is supplied with a modification kit and instructions for this particular model Tuner.

A special 2 RU high decorative fascia escutcheon to fit the DENON TU-235 RD Tuner, type **RRA-Escutcheon** is available as an accessory, with the RRA-01 casing is strong enough to act as a shelf to support the tuner.

The Carrier Fail sensing input circuitry is arranged to be fairly universal, and to accept DC Signals of different levels and polarities, and although not researched by Elan Audio, should operate satisfactorily with other makes and models of HI-Fi Tuners.

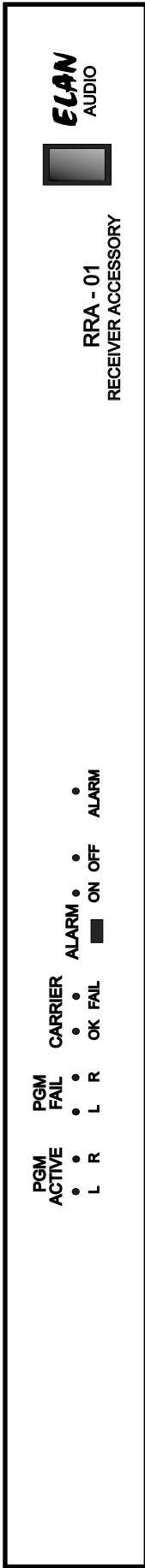
The Audio Circuitry of the RRA-01 is straight forward, and is shown on the circuit diagrams in this manual.

- LED PANEL INDICATORS
- LEFT SIGNAL YELLOW
- RIGHT SIGNAL YELLOW
- LEFT FAIL RED
- RIGHT FAIL RED
- CARRIER OK GREEN
- CARRIER FAIL RED
- ALARM ENABLED RED
- ALARM DISABLED GREEN
- ALARM DISABLED RED
- ALARM SWITCH PUSH ON PUSH OFF



RECEIVER ACCESSORY  
 COMBINATION AUDIO  
 DISTRIBUTION AMP  
 PROGRAMME FAIL  
 AND CARRIER FAIL DETECTOR

<b>ELAN AUDIO</b>		AUSTRALIA	
Title RACOUNTING RECEIVER ACCESSORY UNIT			
Size	Number	Revision	
A3	RRR-01BK		
Date:	1-JUL 1999	Sheet	of
File:	RRR-01BK71	Drawn	By:



# RRA-01 Front Panel Layout