
ELAN Audio

TP-GEN

Time Pip Generator Promotional Information



New from Elan Audio

Your Radio Station can now broadcast the once popular end of Hour Time Pips

The versatile TP-GEN Module operates from AES/EBU (25 Hz SMPTE) Time Code or from Observatory generated Contact Closures via a Telstra Landline
Compatible with the Elan Audio RTG-01 GPS Locked Time Code Generator and other accurate 25 Hz AES/EBU Time Code Generators

Available as assembled and tested PCB Module, or as complete system with Test Switch and Indicator Lamp, housed in the popular Elan Audio RUC-01 chassis

Two Balanced +4 dBu Audio and one Open Collector Lamp Driver Output
Audio Output 1 provides Six 500 mSec Time Pips at 5,4,3,2,1 Sec before End of Hour and On the Hour and is normally fed "To-Air"

Audio Output 2 provides Nine 500 mSec Time Pips at 30, 20,10, 5,4,3,2,1 Sec before End of Hour and On the Hour and is normally used for "Cue"

Inputs are via 2 Way Removable Screw Terminals

Outputs are via 25 Pin Male D Connectors

Selection between External Contact Closure and Time Code is by Movable Link on the PCB

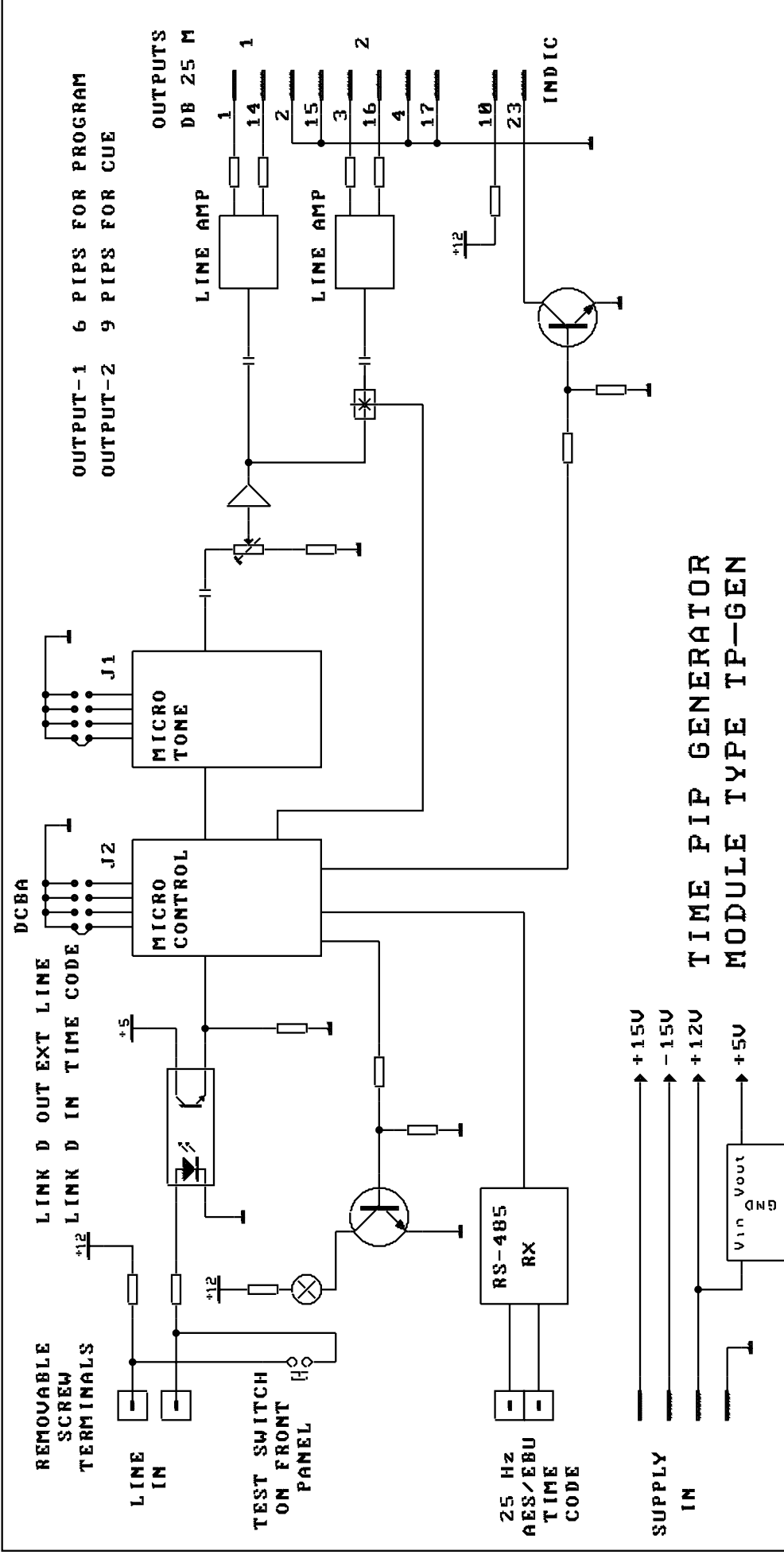
Power Requirements + 15V, - 15V and + 12V DC

Manufactured in Western Australia by

Elan Audio
2 Steel Court
South Guildford
WA 6055

Phone 08 9277 3500
Fax 08 9478 2266
email support@elan.com.au
Internet www.elan.com.au

ABN 90 093 605 249



OUTPUT-1 6 PIPS FOR PROGRAM
 OUTPUT-2 9 PIPS FOR CUE

OUTPUTS
 DB 25 M

TIME PIP GENERATOR
 MODULE TYPE TP-GEN

ELAN AUDIO
 AUSTRALIA

UNIT BE HOUSED IN
 STANDARD ELAN AUDIO RUC-01 CHASSIS

Title		TIME PIP GENERATOR MODULE	Revision
Size	Number	TP-GEN	
A4			
Date:	28-JAN-2003	Sheet	01
File:	TP-GENBK71	Drawn	By: